

Customer Name \_\_\_\_\_

Designer \_\_\_\_\_

Date \_\_\_\_\_

New Construction     Remodel

**Cornerstone Custom Framed – It's All About Choices**

**CONSTRUCTION CHOICES**

**Overview** | pg G-1

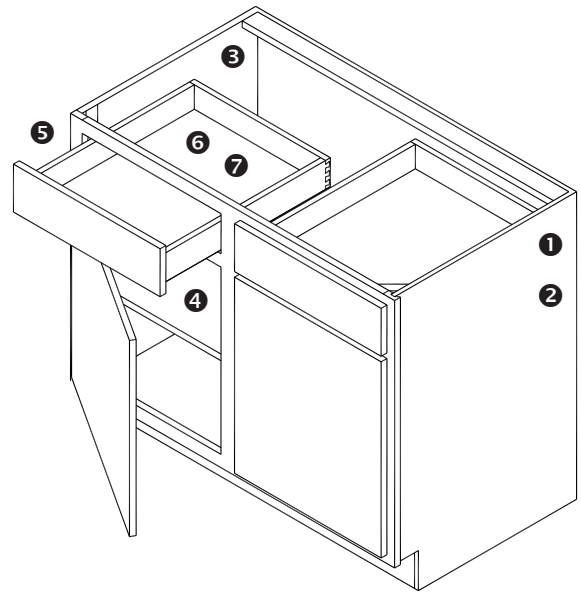
Standard cabinet heights:

Base cabinet 34-1/2"

Mid-base cabinet 31-1/2"

Vanity cabinet 29-1/4"

- 1. Cabinet box construction
- 2. Exterior (multiple options, discuss with designer)
- 3. Interior finish
- 4. Adjustable shelves
- 5. Face frame (solid hardwood)
- 6. Drawers and roll-outs
- 7. Drawer/roll-out guides



**1. Cabinet box construction** | pgs G-1 & G-2

- Particleboard (PB)
- Plywood (PLY) *up-charge*

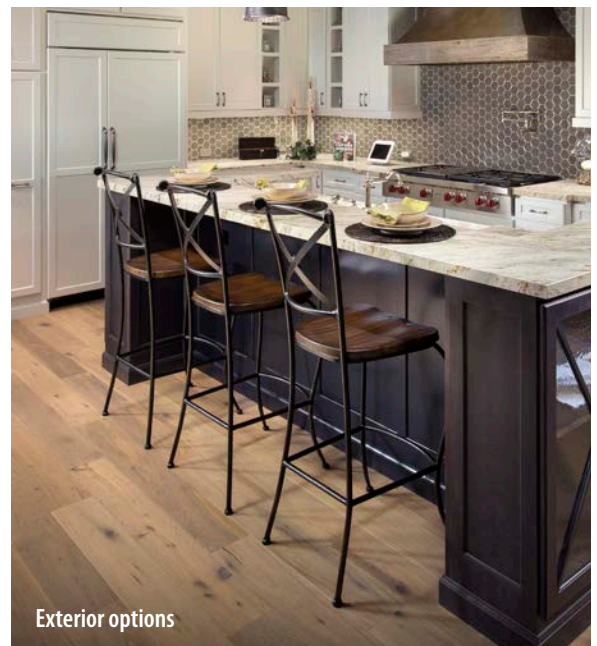
**2. Exterior** | pg G-1

- Unfinished
- Finished, beaded, furniture ends & more *up-charge*

**3. Cabinet interior finish** | pg G-2

(WHTV & WGL: no up-charge for PB • *up-charge on PLY*)

- White vinyl (WHTV)
- Woodgrain Laminate (WGL)
- Finish to match face frame species & color for exposed interiors (FMI) *up-charge*



Exterior options

## CONSTRUCTION CHOICES *continued*

### 4. Adjustable shelves | pg G-1

- Particleboard
- Plywood *up-charge*

### 5. Face frame | pg G-1

Solid hardwood, pocket screwed and glued

### 6. Drawer box construction | pg G-1

- 1/2" Solid wood dovetail (SWD)
- 5/8" solid hardwood dovetail (HWDWR) *up-charge*

### 7. Drawer guides | pg G-2 – G-3

UMFEG with inMotion drawer closing system (UMFEG-IM)



## DESIGN CHOICES

### 1. Door style | pgs G-19 to G-50

Name \_\_\_\_\_

Door edge detail | pg G-18

Name \_\_\_\_\_

Door overlay | pg G-2

- Traditional     Modified     Inset     Beaded Inset



**Framed – Traditional Overlay**  
Doors are sized to show about 1" of the face frame



**Framed – Modified Overlay**  
A larger door overlays (conceals) more of the frame



**Inset**  
Door and drawer fronts are recessed and flush to the frame



**Beaded Inset**  
A groove routed into the frame outlines the opening

### 2. Drawer front style | pgs G-19 to G-50

- Slab (flat drawer front)
- 5-Piece Drawer Front to Match Door (DFMD) *up-charge unless standard*
- 3-Piece Drawer Front Quattro, Quattro Solid, Duet, Duet Solid • *up-charge unless standard*

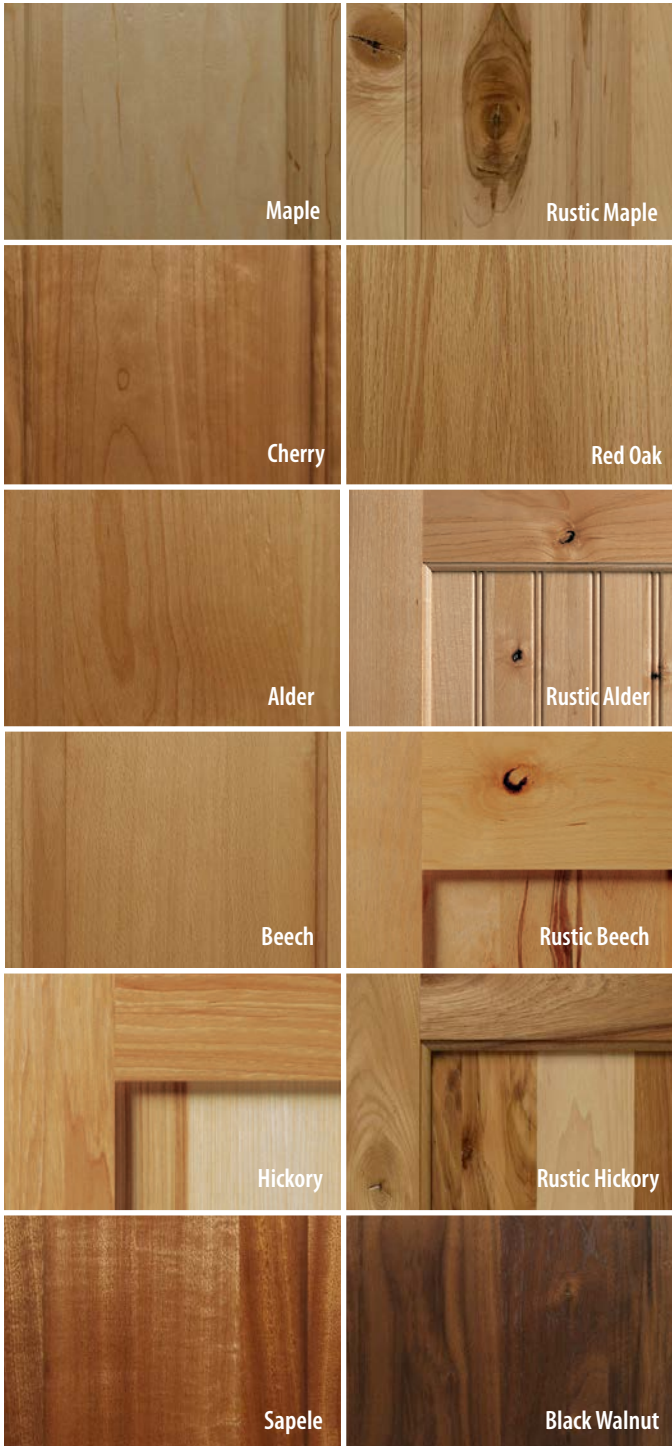


Drawer Fronts

# DESIGN CHOICES *continued*

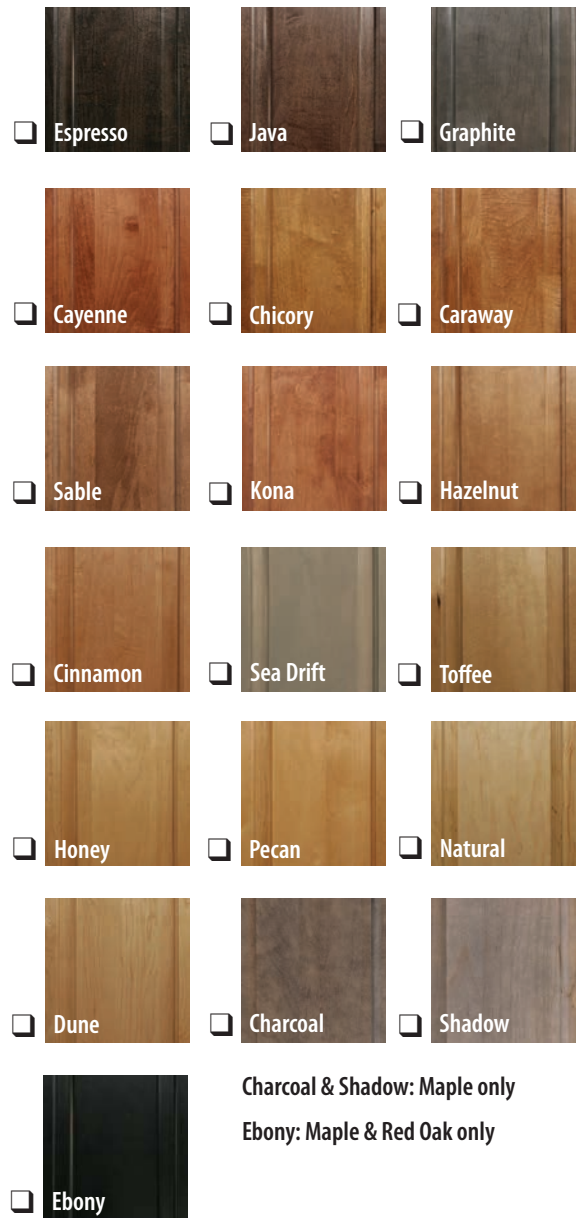
## 3. Wood Species and Materials | pg G-4

- Maple
- Alder
- Beech
- Hickory
- Black Walnut
- Rustic Maple
- Rustic Alder
- Rustic Beech
- Rustic Hickory
- Cherry
- Red Oak
- Sapele
- Laminate
- Thermofoil



## 4. Stain color | pgs G-11 to G-12

Shown on Maple • Most colors avail. on most species



## 4A. Paint color | pgs G-11 to G-12

Paint available on Maple & Red Oak only

- Ash
- Black
- Breeze
- Cardinal
- Chambray
- Cornsilk
- Crème
- Eggshell
- Fog
- Frosty White
- Granite
- Icing
- Ivory
- Mist
- Mojave
- Navy
- Olive
- Sage
- Sand
- Smoke
- Snowcap
- Thunder
- White
- Summer Cloud

# DESIGN CHOICES *continued*

## 4B. Gloss Level (sheen)

- Standard Gloss
- Matte Gloss
- Lo-Luster



## 5. Finish enhancements | pgs G-13 thru G-17

Choose one:

- Glazing
- Highlighting

Color choices:

- Chocolate
- Licorice
- Suede
- Vanilla
- Pewter

- Patina (Licorice)
- Antiqued (Chocolate)

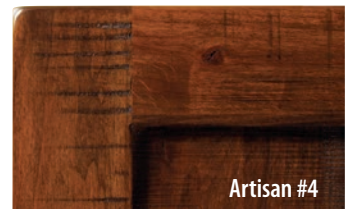
- Standard Distressing
- Sand-Through to Wood (STTW)
- Sand-Through to Color (STTC)

Paint (top) \_\_\_\_\_

Stain (bottom) \_\_\_\_\_

Artisan Package # choose one:

- A1
- A2
- A3
- A4
- A5



## NOTES

---



---



---



---



---



---



---



---

Your Style With Our Solutions Creates Home

**CANYON CREEK**  
Cabinet Company