

Customer Name \_\_\_\_\_

Designer \_\_\_\_\_

Date \_\_\_\_\_

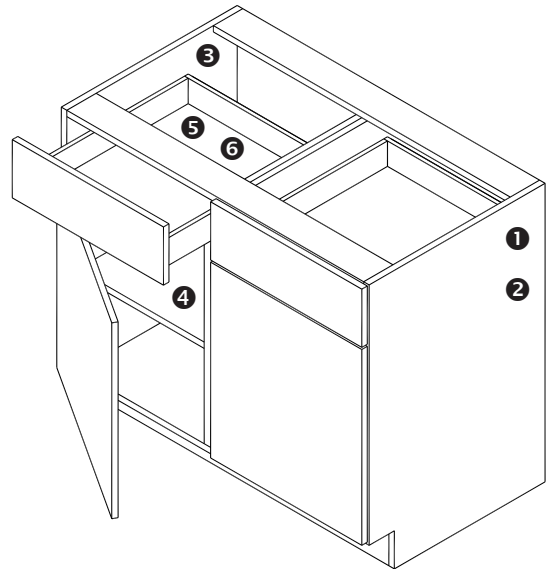
New Construction     Remodel

**Millennia Custom Frameless – It's All About Choices**

**CONSTRUCTION CHOICES**

- 1. Overview | pg G-1  
Standard cabinet heights:  
Base cabinet 34-1/2"  
Mid-base cabinet 31-1/2"  
Vanity cabinet 29-1/4"

- 1. Cabinet box construction
- 2. Exterior
- 3. Interior finish
- 4. Adjustable shelves
- 5. Drawers and roll-outs
- 6. Drawer/roll-out guides



**1. Cabinet box construction | pgs G-1 & G-2**

- 3/4" Particleboard (PB)
- 3/4" Plywood (PLY) *up-charge*

**2. Exterior | pg G-1**

- Unfinished
- Finished, furniture ends, finished end doors *up-charge*

**3. Cabinet interior finish | pg G-2**

(WHTV & WGL: no up-charge for PB • *up-charge on PLY*)

- White vinyl (WHTV)
- Woodgrain Laminate (WGL)
- Finish to match door species & color  
for exposed interiors (FMI) *up-charge*
- Grey Melamine (GM) *up-charge*
- Black Melamine (BM) *up-charge*



## CONSTRUCTION CHOICES *continued*

### 4. Adjustable shelves | pg G-1

- Particleboard
- Plywood *up-charge*

### 5. Drawer box construction | pg G-1

- 1/2" Solid wood dovetail (SWD)
- 5/8" solid hardwood dovetail (HWDWR) *up-charge*
- Powder Grey (PG) Steel Drawer System *up-charge*
- Stainless Steel (SS) Drawer System *up-charge*

### 6. Drawer guides | pg G-2 – G-3

- UMFEG with inMotion drawer closing system (UMFEG-IM)
- Sidemount, full-extension, steel ball-bearing *up-charge*
  - Zinc (FEGZ)    Black (FEGB)    White (FEGW)



## DESIGN CHOICES

### 1. Door style | pgs G-19 to G-65   Name \_\_\_\_\_

Door edge detail | pg G-18    Name \_\_\_\_\_



### 2. Drawer front style | pgs G-19 to G-65

- Slab (flat drawer front)
- 5-Piece Drawer Front to Match Door (DFMD) *up-charge unless standard*
- 3-Piece Drawer Front Quattro, Quattro Solid, Duet, Duet Solid • *up-charge unless standard*



### 3. Wood Alternatives | pgs G-51 to G-65

- Laminate
- Thermofoil
- Greenlam

### CURATED SURFACES COLLECTION

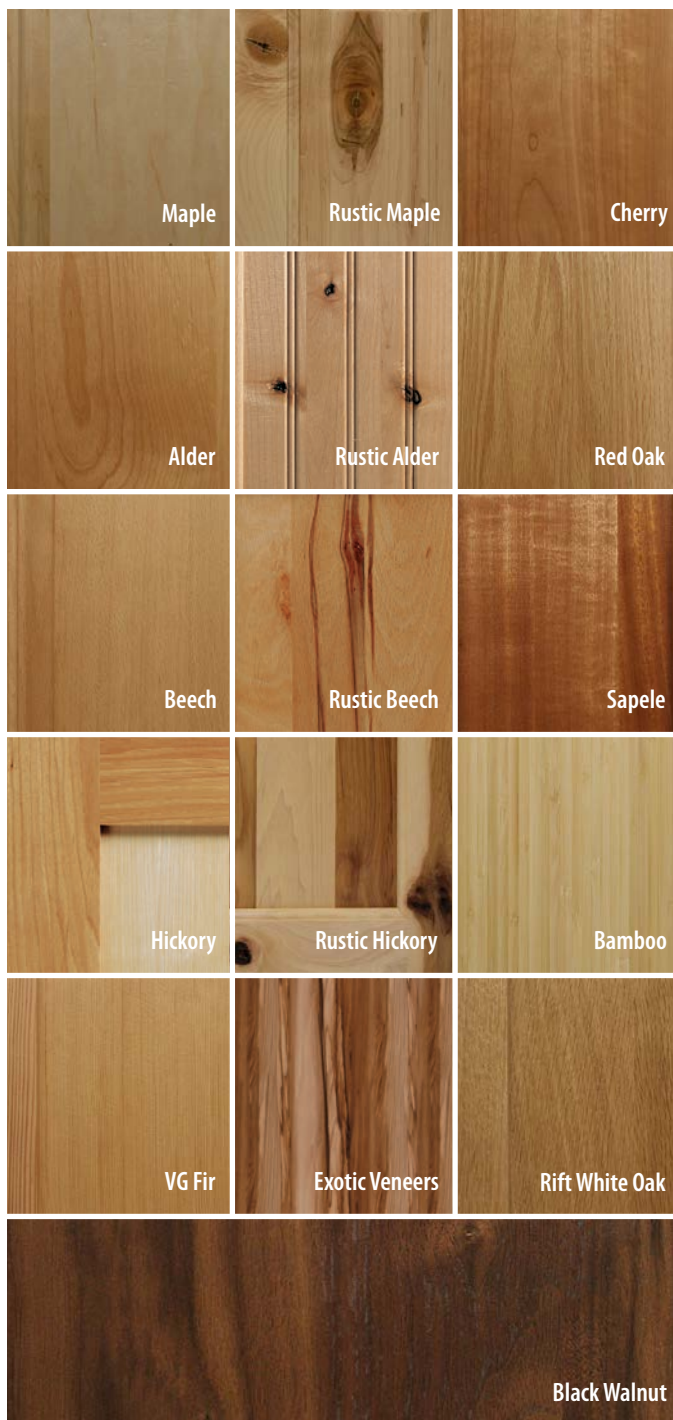
- Super Matte
- HG Acrylic & Foil
- Thermo Structured Surface (TSS)



## DESIGN CHOICES *continued*

### 3. Wood Species and Materials | pg G-4

- Maple       Rustic Maple       Cherry
- Alder       Rustic Alder       Red Oak
- Beech       Rustic Beech       Sapele
- Hickory       Rustic Hickory       Bamboo
- VG Fir       Exotic Wood Veneer
- Rift White Oak       Black Walnut



### 4. Stain color | pgs G-11 to G-12

Shown on Maple • Most colors avail. on most species



### 4A. Paint color | pgs G-11 to G-12

Paint available on Maple & Red Oak only

- Ash       Fog       Olive
- Black       Frosty White       Sage
- Breeze       Granite       Sand
- Cardinal       Icing       Smoke
- Chambray       Ivory       Snowcap
- Cornsilk       Mist       Thunder
- Crème       Mojave       White
- Eggshell       Navy       Summer Cloud

# DESIGN CHOICES *continued*

## 4B. Gloss Level (sheen)

- Standard Gloss
- Matte Gloss
- Lo-Luster



## 5. Finish enhancements | pgs G-9 thru G-11

Choose one:

- Glazing
- Highlighting

Color choices:

- Chocolate
- Licorice
- Suede
- Vanilla
- Pewter

- Patina (Licorice)
- Antiqued (Chocolate)

- Distressing
- Spattering

- Sand-Through to Wood (STTW)

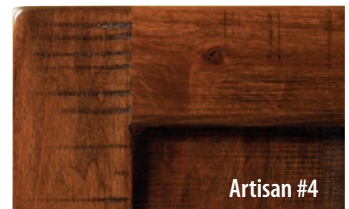
- Sand-Through to Color (STTC)

Paint (top) \_\_\_\_\_

Stain (bottom) \_\_\_\_\_

- Artisan Package # choose one:

- A1
- A2
- A3
- A4
- A5
- A6



NOTES

---



---



---



---



---



---



---

Your Style With Our Solutions Creates Home

**CANYON CREEK**  
Cabinet Company