

Customer Name _____

Designer _____

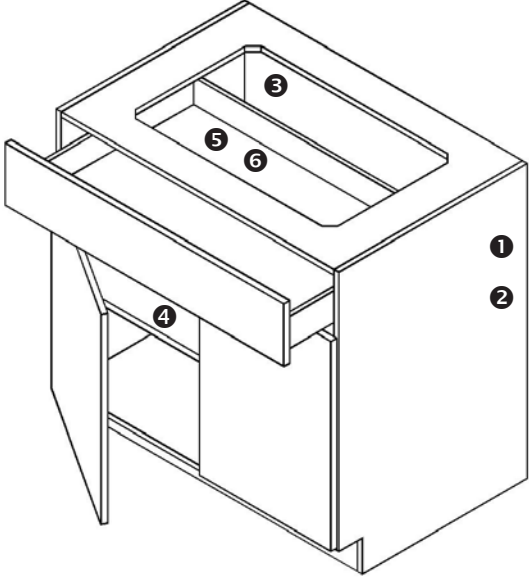
Date _____

New Construction Remodel

Katana Value Frameless – Cabinets Made Simple

CONSTRUCTION

- 1. Cabinet construction type | pg 3**
 Standard cabinet heights:
 Base cabinet 34-1/2"
 Vanity cabinet 31-1/2"
 Vanity "Grand" 34-1/2"



- 1. Cabinet box construction
- 2. Exterior
- 3. Interior finish
- 4. Adjustable shelves
- 5. Drawers and roll-outs
- 6. Drawer/roll-out guides

1. Cabinet box construction | pg 3

- 5/8" Particleboard (PB)
- 5/8" Plywood (PLY) *up-charge*

2. Exterior

- Unfinished
- Integral Finished Ends *up-charge*

3. Cabinet interior finish

- White melamine (WM) PB box only
- Woodgrain Laminate (WGL) PLY box only • *up-charge*
- Finish to match door species & color for exposed interiors (FMI) *up-charge*

4. Adjustable shelves

- 3/4" Particleboard
- 3/4" Plywood *up-charge*



CONSTRUCTION *continued*

5. Drawer box construction | pg 3

1/2" Solid wood dovetail (SWD)

6. Drawer guides

Undermount full extension with soft close system



DESIGN CHOICES

1. Door style | pgs 14-23 Name _____

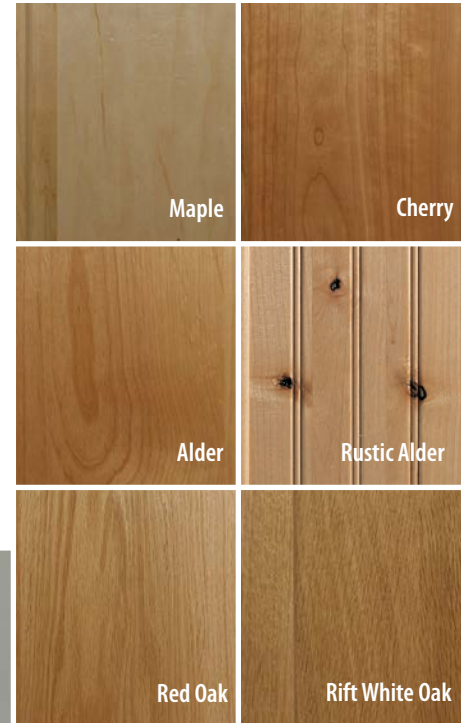
2. Drawer front style | pgs 14-23

Slab (flat drawer front)

Frasier & Yosemite have 5-Piece Drawer Front to Match Door (DFMD)

3. Wood Species & Materials | pg 13

- Maple
- Cherry
- Red Oak
- Alder
- Rustic Alder
- RWO (Vista only)
- Thermofoil
- TSS
- HG Laminate



4. Stain & Paint colors | pg 4

Paint available on Maple/MDF only

Stains (All species)

- Cayenne
- Graphite
- Kona
- Chicory
- Cinnamon
- Pecan
- Dune
- Sea Drift
- Espresso
- Ebony (Maple only)
- Sable

Paints

- Cornsilk
- Crème
- Icing
- Sage
- Thunder
- White

4B. Gloss Level (sheen)

- Standard Gloss
- Matte Gloss
- Lo-Luster



4C. Glaze

- Chocolate
- Licorice
- Pewter
- Suede
- Vanilla



Your Style With Our Solutions Creates Home

CANYON CREEK
Cabinet Company