

Customer Name _____

Designer _____

Date _____

New Construction Remodel

Cornerstone Custom Framed – It's All About Choices

CONSTRUCTION CHOICES

Overview | pg G-1

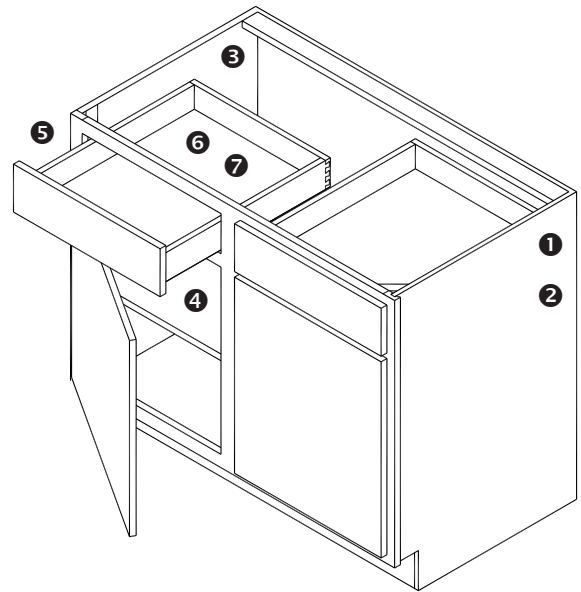
Standard cabinet heights:

Base cabinet 34-1/2"

Mid-base cabinet 31-1/2"

Vanity cabinet 29-1/4"

1. Cabinet box construction
2. Exterior (multiple options, discuss with designer)
3. Interior finish
4. Adjustable shelves
5. Face frame (solid hardwood)
6. Drawers and roll-outs
7. Drawer/roll-out guides



1. Cabinet box construction | pgs G-1 & G-2

- Particleboard (PB)
- Plywood (PLY) *up-charge*

2. Exterior | pg G-1

- Unfinished
- Finished, beaded, furniture ends & more *up-charge*

3. Cabinet interior finish | pg G-2

(WHTV & WGL: no up-charge for PB • *up-charge on PLY*)

- White vinyl (WHTV)
- Woodgrain Laminate (WGL)
- Finish to match face frame species & color
for exposed interiors (FMI) *up-charge*



CONSTRUCTION CHOICES *continued*

4. Adjustable shelves | pg G-1

- Particleboard
- Plywood *up-charge*

5. Face frame | pg G-1

Solid hardwood, pocket screwed and glued

6. Drawer box construction | pg G-1

- 1/2" Solid wood dovetail (SWD)
- 5/8" solid hardwood dovetail (HWDWR) *up-charge*

7. Drawer guides | pg G-2 – G-3

- UMFEG with inMotion drawer closing system (UMFEG-IM)
- Sidemount, full-extension, steel ball-bearing *up-charge*
 - Zinc (FEGZ) Black (FEGB) White (FEGW)



DESIGN CHOICES

1. Door style | pgs G-19 to G-50 Name _____

Door edge detail | pg G-18 Name _____

Door overlay | pg G-2

- Traditional Modified Inset Beaded Inset



Framed – Traditional Overlay
Doors are sized to show about 1" of the face frame



Framed – Modified Overlay
A larger door overlays (conceals) more of the frame



Inset
Door and drawer fronts are recessed and flush to the frame



Beaded Inset
A groove routed into the frame outlines the opening

2. Drawer front style | pgs G-19 to G-50

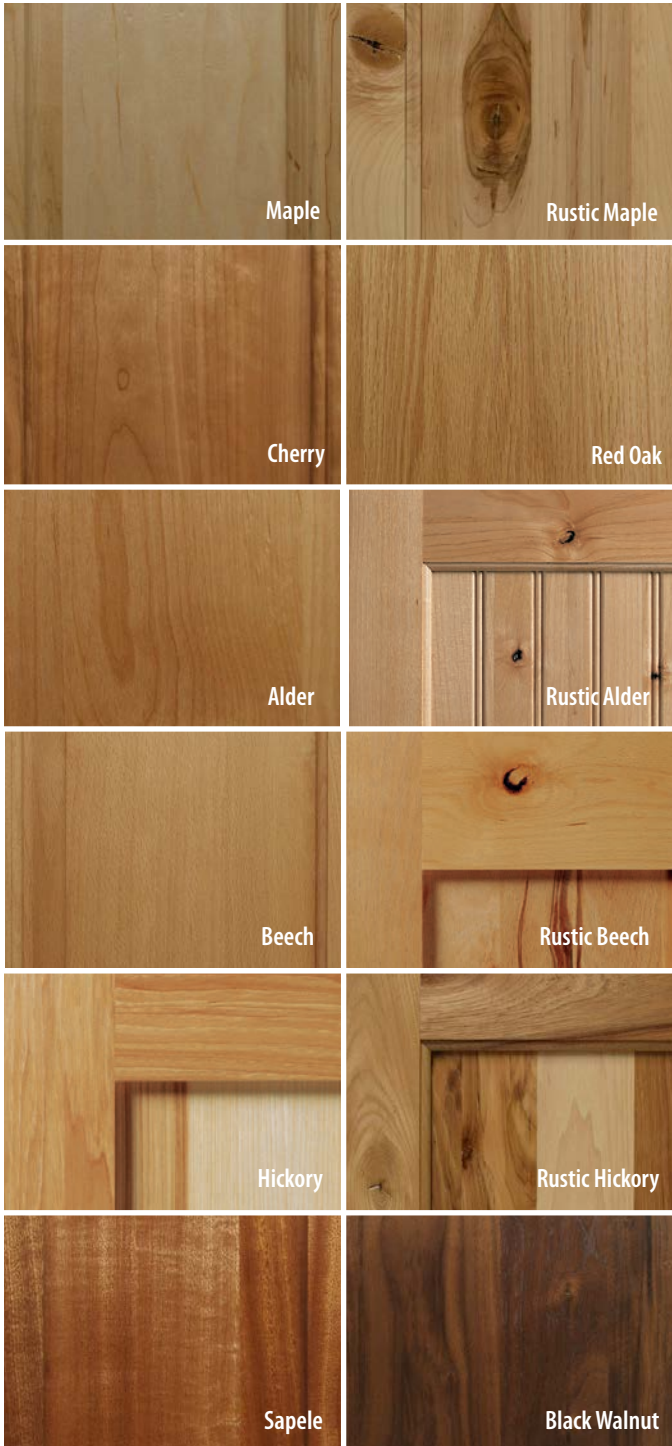
- Slab (flat drawer front)
- 5-Piece Drawer Front to Match Door (DFMD) *up-charge unless standard*
- 3-Piece Drawer Front Quattro, Quattro Solid, Duet, Duet Solid • *up-charge unless standard*



DESIGN CHOICES *continued*

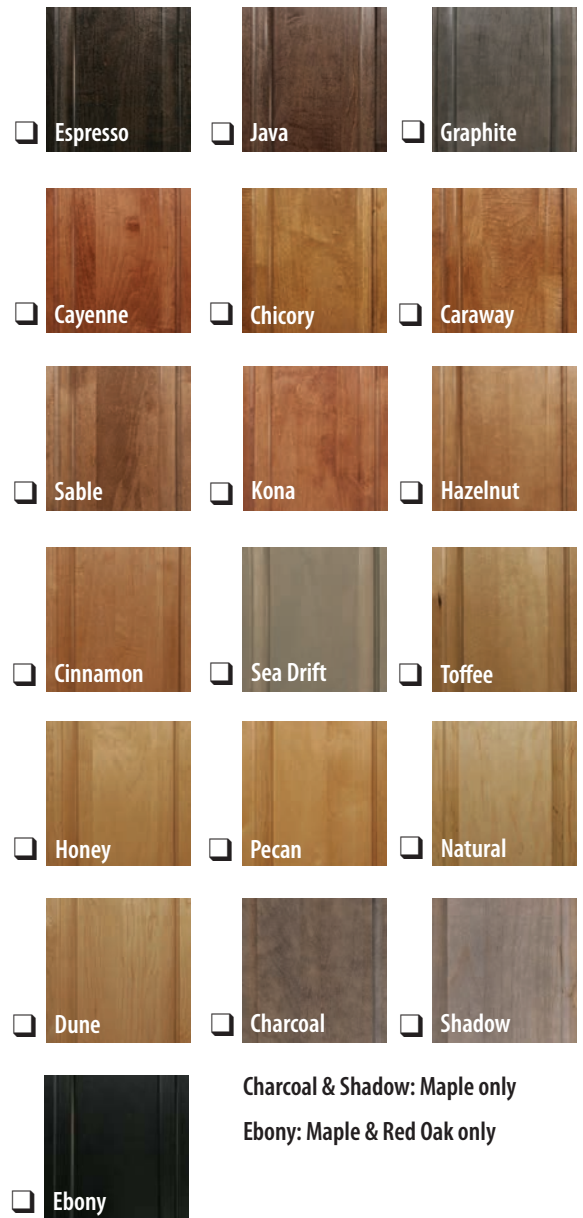
3. Wood Species and Materials | pg G-4

- Maple
- Alder
- Beech
- Hickory
- Black Walnut
- Rustic Maple
- Rustic Alder
- Rustic Beech
- Rustic Hickory
- Cherry
- Red Oak
- Sapele
- Laminate
- Thermofoil



4. Stain color | pgs G-11 to G-12

Shown on Maple • Most colors avail. on most species



4A. Paint color | pgs G-11 to G-12

Paint available on Maple & Red Oak only

- Ash
- Black
- Breeze
- Cardinal
- Chambray
- Cornsilk
- Crème
- Eggshell
- Fog
- Frosty White
- Granite
- Icing
- Ivory
- Mist
- Mojave
- Navy
- Olive
- Sage
- Sand
- Smoke
- Snowcap
- Thunder
- White
- Summer Cloud

DESIGN CHOICES *continued*

4B. Gloss Level (sheen)

- Standard Gloss
- Matte Gloss
- Lo-Luster



5. Finish enhancements | pgs G-13 thru G-17

Choose one:

- Glazing
- Highlighting

Color choices:

- Chocolate
- Licorice
- Suede
- Vanilla
- Pewter

- Patina (Licorice)
- Antiqued (Chocolate)

- Distressing
- Spattering

- Sand-Through to Wood (STTW)

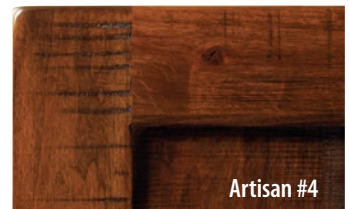
- Sand-Through to Color (STTC)

Paint (top) _____

Stain (bottom) _____

- Artisan Package # choose one:

- A1
- A2
- A3
- A4
- A5



NOTES

Your Style With Our Solutions Creates Home

CANYON CREEK
Cabinet Company