



Cabinetry Project Planning Guide



A quick-reference guide to the many cabinetry options found across our lines, plus helpful tips on budgeting and project planning.

Canyon Creek Cabinet Company
16726 Tye St SE
Monroe, WA 98272

800-228-1830 | canyoncreek.com

CANYON CREEK
Cabinet Company

CORNERSTONE Framed



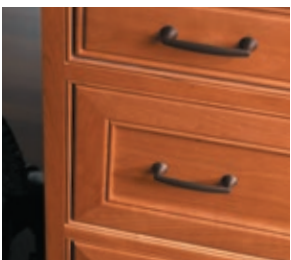
Featuring traditional framed cabinetry with the feel of fine furniture, including inset and beaded inset styles for elegant designs.



Framed cabinets have a face frame that is attached to the cabinet box; the doors are then fastened to this frame. Doors can be sized to allow more or less frame to show.



Inset door and drawer fronts are recessed and flush to the frame.



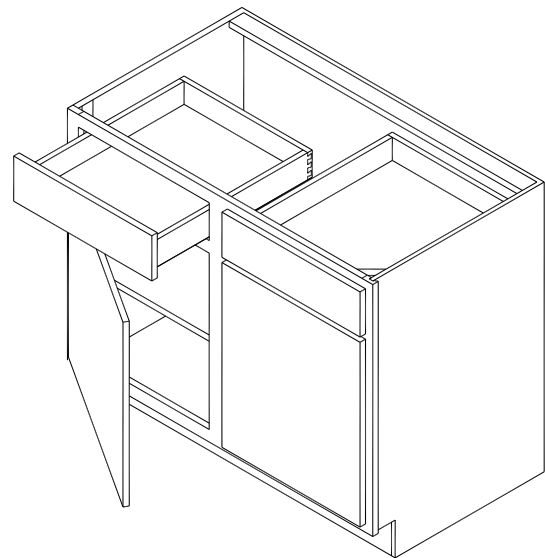
Beaded Inset features a groove routed into the face frame that outlines the opening.

WOOD SPECIES

- Maple
- Cherry
- Alder
- Beech
- Hickory
- Red Oak
- Sapele
- Rustics
- Black Walnut

WOOD ALTERNATIVES

- Laminate
- Thermofoil



Cornerstone cabinets are constructed with 1/2" thick material (including a plywood option) and a solid hardwood face frame. Shelves are 3/4" thick in either particleboard or plywood, and extend the full depth of the cabinet for maximum functionality.



MILLENNIA Frameless

Maximize your space with frameless cabinets that leave every inch of the cabinet interior accessible - then customize the look!

Custom options are a hallmark of Millennia and Cornerstone. From stain or paint colors and unique finish treatments to cabinets built to fit the exact size and function you need, the possibilities are nearly endless.

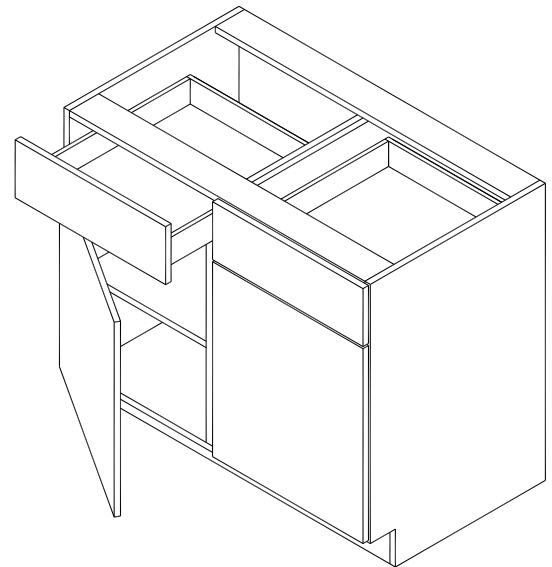


WOOD SPECIES

- Maple
- Alder
- Hickory
- Sapele
- Black Walnut
- RWO
- VG Fir
- Cherry
- Beech
- Red Oak
- Rustics
- Bamboo
- Exotics

WOOD ALTERNATIVES

- Laminate
- TSS
- HG Acrylic or Foil
- Greenlam
- Thermofoil
- Super Matte
- Metal



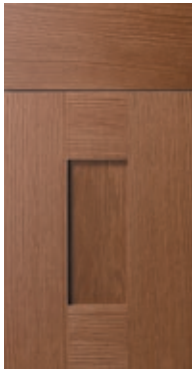
Millennia cabinets are constructed with 3/4" thick material (including a plywood option) and a 1/2" fully captured back. Interior options include white or wood grain looks, plus grey or black melamine for an upscale, contemporary vibe.



KATANA Frameless



Our value frameless line was created to provide a budget-friendly option when price is the main factor in a project.



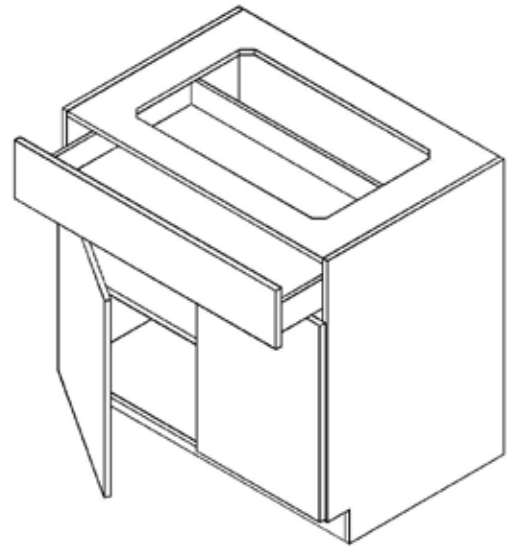
Frameless (European) style cabinetry has a cabinet box to which the doors are directly fastened. This allows full access to the cabinet contents, as there is no frame to overlap the opening.

WOOD SPECIES

- Maple
- Cherry
- Alder
- Rustic Alder
- Red Oak
- Rift White Oak (Vista door)

WOOD ALTERNATIVES

- HG Laminate
- TSS
- Thermofoil
- MDF (Painted)

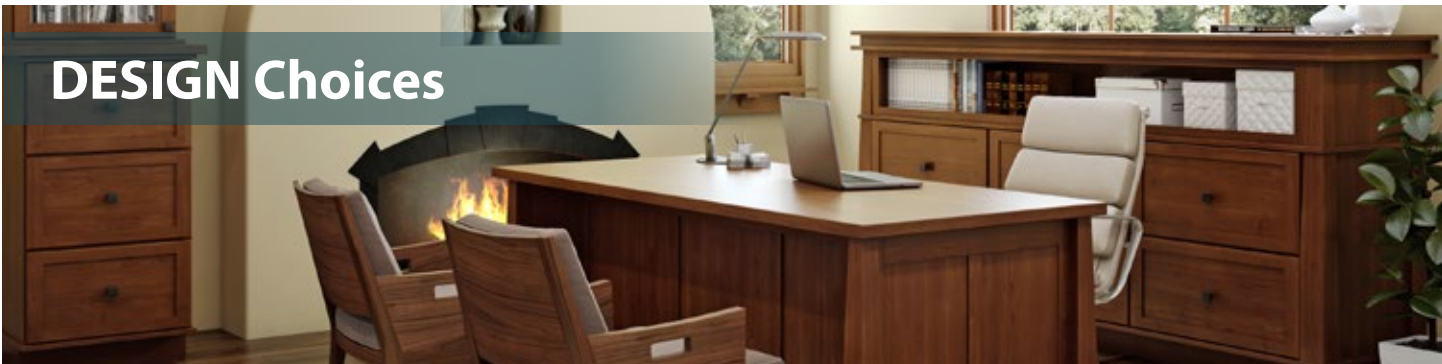


Katana cabinets are constructed with 5/8" thick material (including a plywood option) and a 1/2" fully captured back. Most cabinets feature a solid top; base and vanity cabinets include cutouts for ease of installation.

When you're ready to make decisions, our "All About Choices" worksheets include space for selections and notes. Look for them in Resources/ PDF Downloads/ Design & Planning at canyoncreek.com



DESIGN Choices



When selecting cabinets, there are a number of opportunities to choose the styles and features that are important to you.

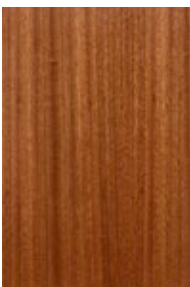
The door style you pick will go a long way in setting the overall look of the finished space. Here is a quick intro on the basic styles:



Raised Panel doors are often used as an accent



Recessed Panel doors typically feature simple styling



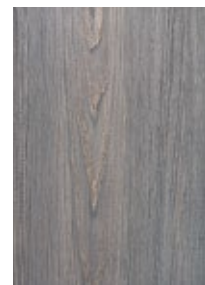
Slab styles are available in solid wood and veneer



Slab styles are also seen in High Gloss Acrylic, Foil & Laminate



Super Matte foils are a popular look in either slab or Shaker styling



Wood alternatives like TSS often feature a wood-grain texture



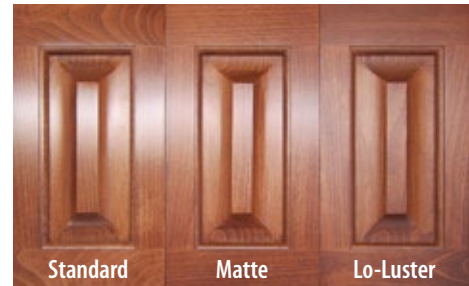
We offer a number of acrylic panels that can enhance your design and either hide or showcase items in your upper cabinets.



For drawers, you might want to consider a door style that features matching drawer fronts. This will help the overall look of the kitchen be more cohesive.



Did you know you can choose the interior of your Cornerstone or Millennium cabinets? An interior matching the exterior is popular for open cabinets or glass doors.



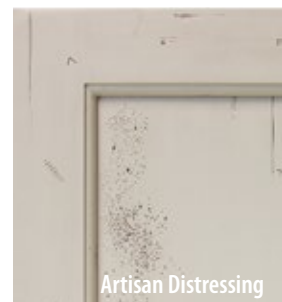
You can even choose the gloss level on your stained or painted cabinets! The properties of all three are identical, so there is no difference in how well each will perform in your home.



Glaze



Patina



Artisan Distressing

For a truly unique look, consider hand-applied treatments like glaze, patina or distressing. We have a wide range of enhancements to complement any design.

BUDGET Worksheet

Determining—and sticking to—a realistic budget requires careful planning. This worksheet can help set some expectations.

Some hidden factors that may affect your budget include:

- Do you need to move any walls or are you happy with the existing space?
- Do any windows or doors need to be added, expanded or replaced?
- Are the sink and stove locations appropriate or will plumbing and gas lines need to be relocated?
- Is the existing electrical wiring up to code or will it need to be modified?
- Will your countertop require extra framing to carry the weight?

Ask your designer where it makes sense to splurge, and where you can go with a lower-cost option.

For instance, if you plan on using a dark finish, opt for a less-expensive wood species (you won't see the grain anyway) and splurge on accessories like roll-out storage or that great tile backsplash.

The National Kitchen & Bath Association (NKBA) suggests you budget 10-25% of your home's value for remodeling a kitchen. For bathrooms, that amount is 5-10%. They recommend the following percentages be spent on each of these main items, as a percentage of the total budget:

Product	NKBA Recommended Percentage	Estimated Amount
Cabinets	35%	\$
Countertops	11%	\$
Appliances	12%	\$
Lighting/Electrical	9%	\$
Wall Covering/Paint	3%	\$
Floor Covering	7%	\$
Plumbing	3%	\$
Labor	20%	\$
Estimated total		\$

It's a good idea to set aside an additional sum for the surprises that seem to crop up on any large project. Outdated infrastructure, hidden rot or pest damage, illness to you or a contractor, even a stretch of bad weather can all throw a project off schedule and over budget.

REMODEL Tips

Here are a few things to keep in mind when planning your project, and during the demolition/installation phase...

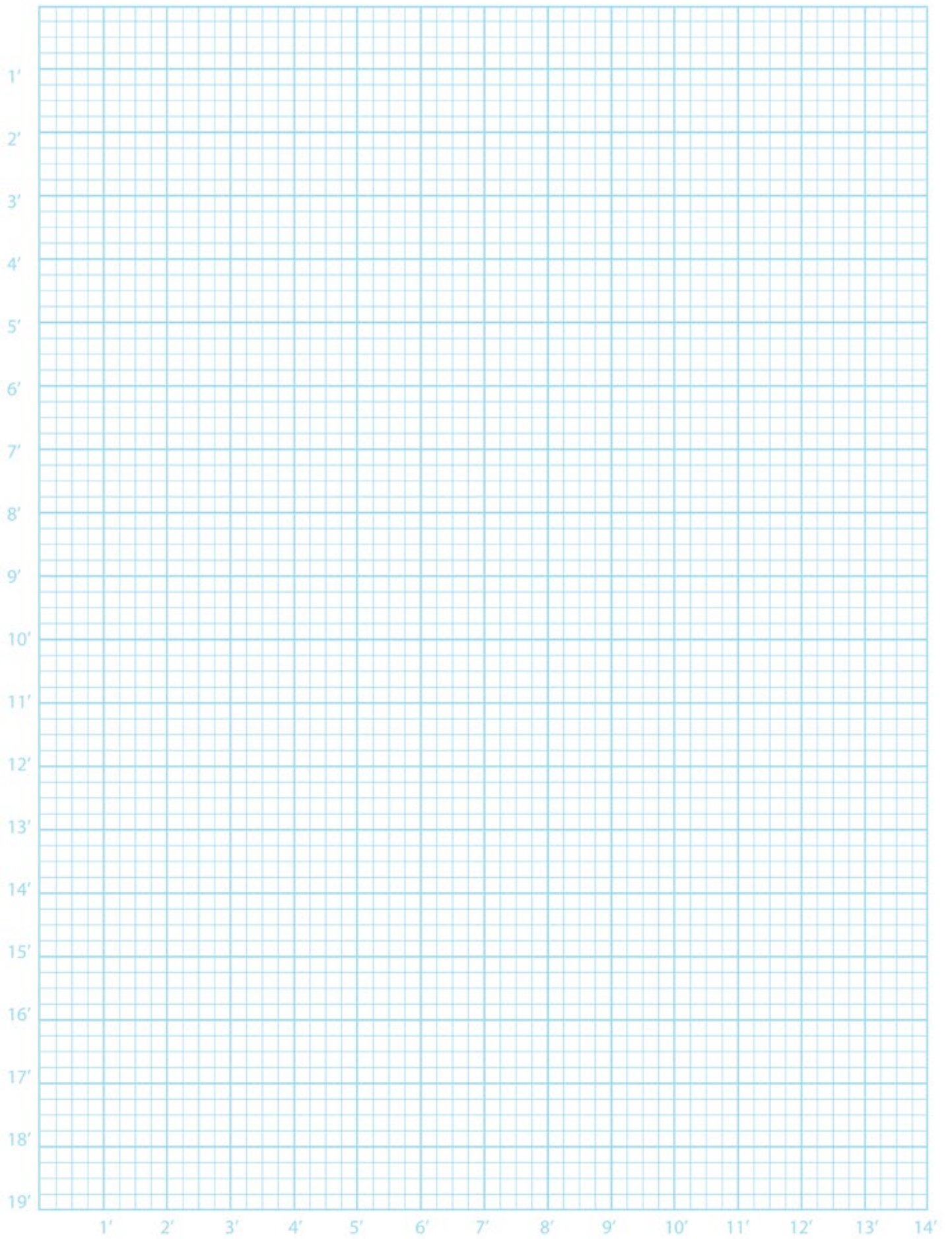
- » Gather inspiration from home design magazines and websites such as Houzz and Pinterest to get a really good idea of what you want. Share your ideabooks or boards with your designer so s/he can start to identify your likes and dislikes.
- » Let your designer know about any special needs you or a family member may have. There are a number of simple modifications that can be made to create a space that works for everyone.
- » Have all parties agree to the design and budget before demolition begins.
- » Plan an alternate area for food preparation, clean-up and storage during remodeling.
- » Discuss trash removal and access to your home with your contractor before work begins.
- » Make arrangements for offsite pet care if possible. The noise, confusion and dust can be hard for pets to cope with.
- » Be flexible. Unforeseen circumstances will probably affect you, your contractor or subcontractors during your project.
- » Allow plenty of time in the schedule for product delivery and installation.
- » Make yourself available to be onsite when needed. Staying current with your project will make any revisions easier and less expensive to implement.
- » Keep lines of communications open. Decisions often need to happen quickly if a subcontractor is involved.

The image shows a screenshot of a form titled "Homeowner 'Wish List'" from Canyon Creek Cabinet Company. The form asks for information to help a designer create a kitchen. It includes sections for: "What rooms are you planning?" (Kitchen, Master Bed, Office/Craft Room, Bath, etc.); "What type of 'feeling' would you like your new room to have?" (Strictly functional, Formal, Informal, Traditional, etc.); "Is the size of the existing space adequate?" (Yes/No); "If not, are you willing to move?" (Walls, Windows/doors, Sink/cupboard, Electrical, Gas); "What is your proposed budget for this project?" (Under \$10,000 to Over \$40,000); and "Kitchen design and finish options you would like to see more of, and how you use the space." (Island, Bulk items, Computer/printer, Cookbooks, Curly/flatware, etc.).

Our Wish List is a handy place to record all of the things that are absolutely necessary in your new kitchen, and those things you'd love to incorporate. Find it on our website in Resources/PDF Downloads/ Design & Planning: canyoncreek.com/pdf-downloads

Sketch Your Space →

Want to play around with some layout ideas, or make notes of your existing floorplan? Use the grid on the next page to record measurements and notes you think might be helpful. Your kitchen designer and/or contractor will do a full measure before ordering cabinets, flooring and other materials.



Each large square equals 1 sq. ft. and smaller squares are 3".